

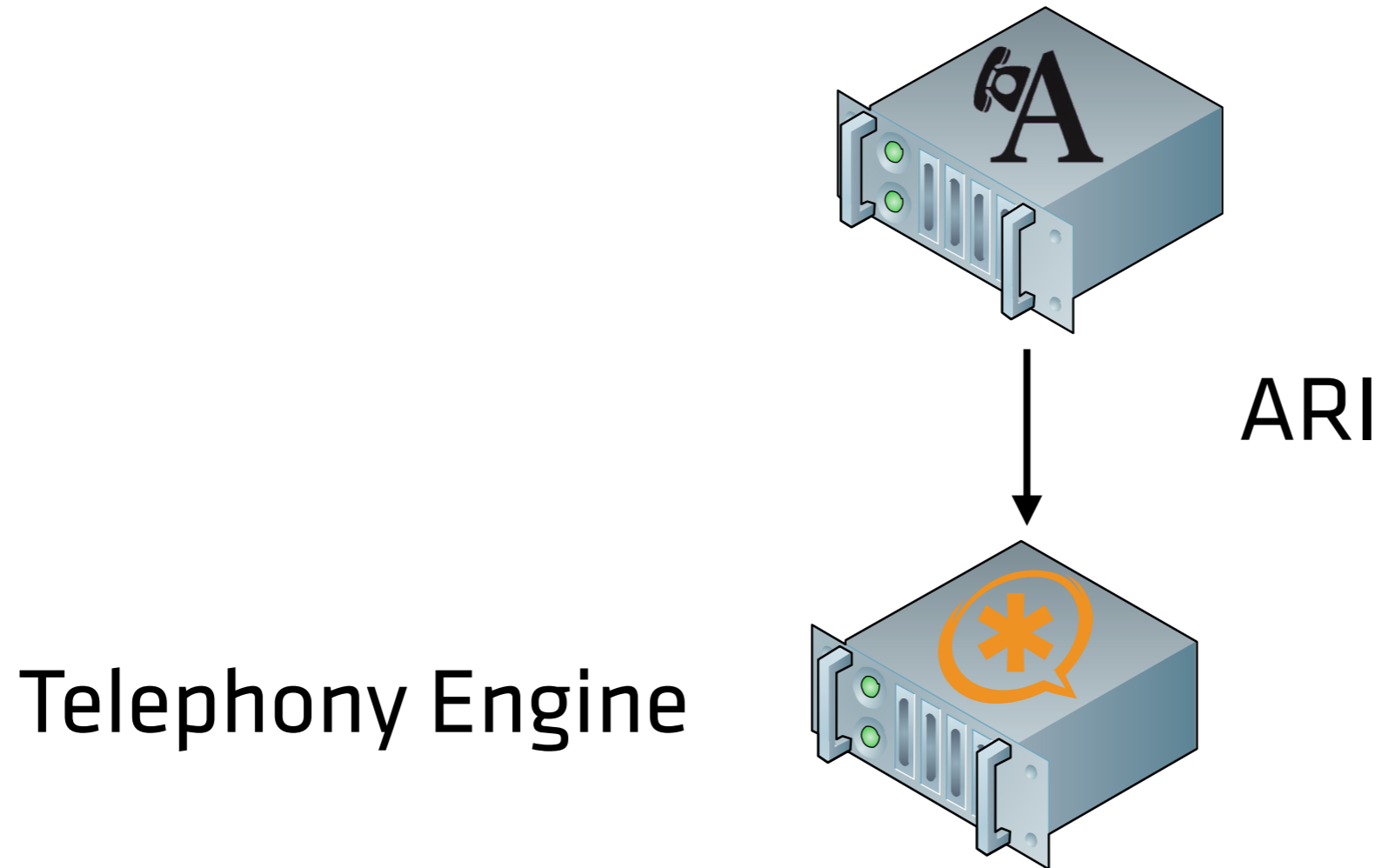
AstriDevCon 2015

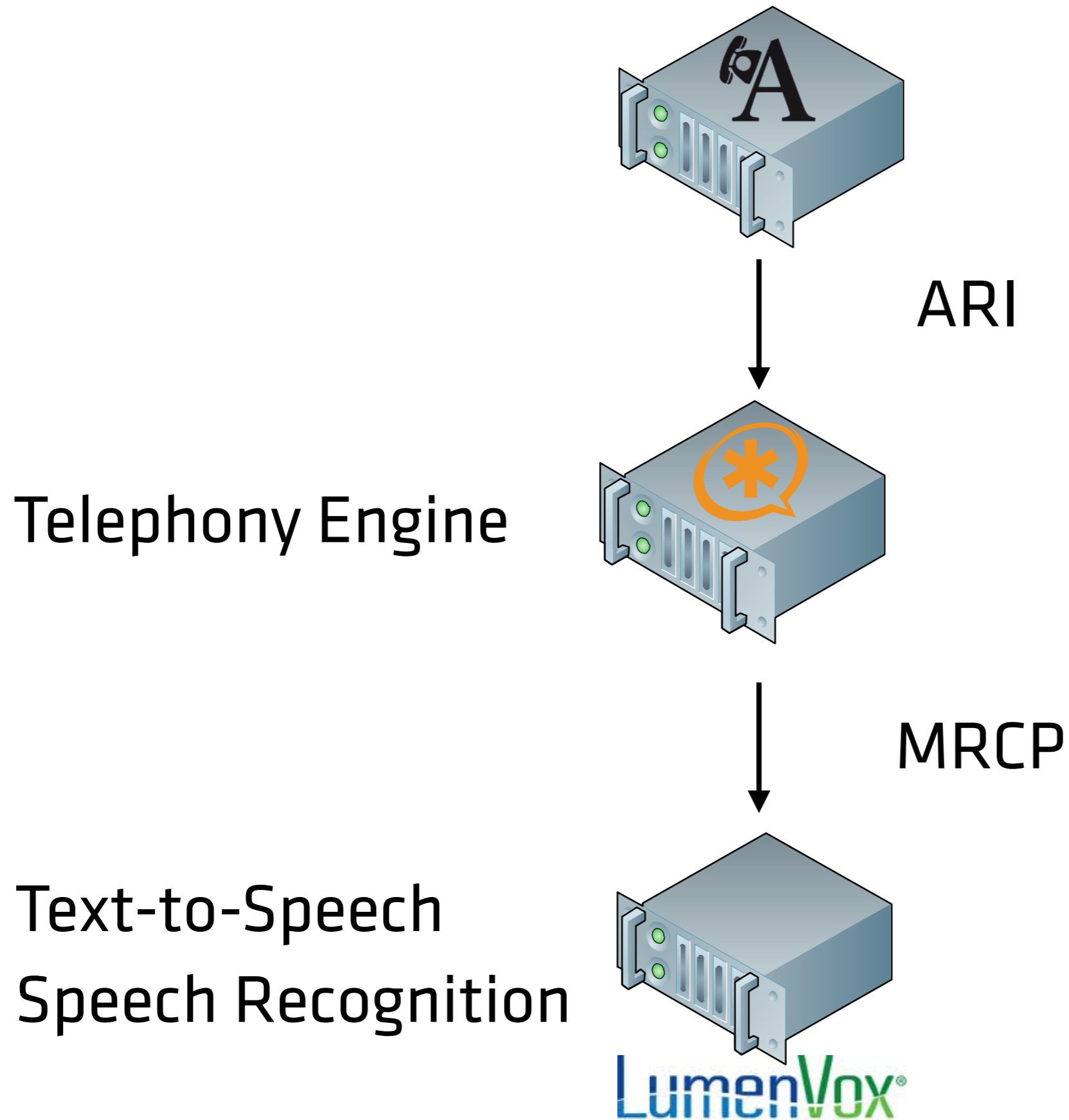
WHAT WE BUILD

- Contact Center Integration
- Custom Call Queues & Dialers
- Speech Recognition IVRs
- WebRTC things

What We Need

MRCPP via ARI

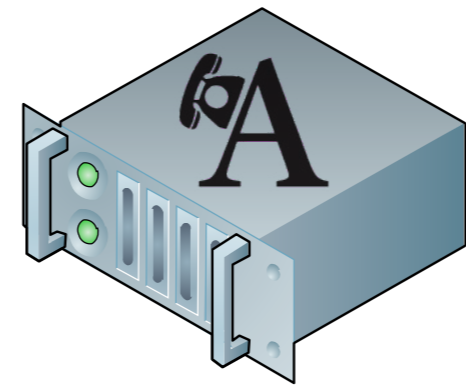




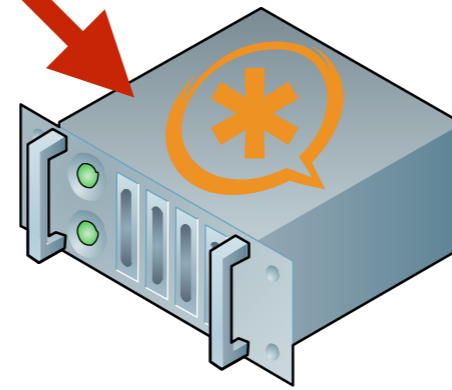
Speech Synth/Rec
Does Not Belong Here!

Telephony Engine

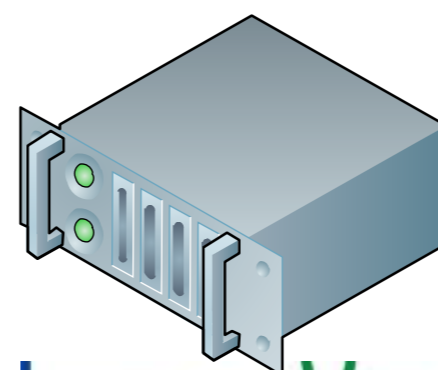
Text-to-Speech
Speech Recognition



ARI



MRCP



LumenVox®

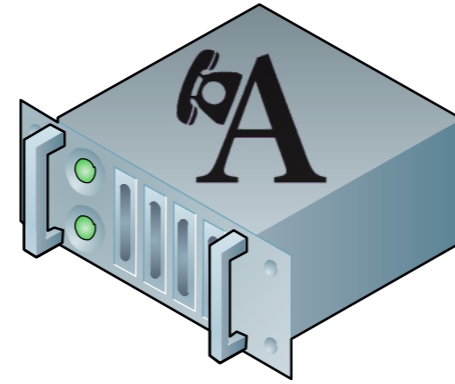
```
<grammar xmlns="http://www.w3.org/2001/06/grammar" version="1.0" xml:lang="en-US"
  root="main_menu_voice" mode="voice" tag-format="semantics/1.0.2006">
  <rule id="main_menu_voice">
    <one-of>
      <item>sales <tag>out.action = "sales"</tag></item>
      <item>support <tag>out.action = "support"</tag></item>
    </one-of>
  </rule>
</grammar>
```

```
<grammar xmlns="http://www.w3.org/2001/06/grammar" version="1.0" xml:lang="en-US"
  root="main_menu_dtmf" mode="dtmf" tag-format="semantics/1.0.2006">
  <rule id="main_menu_dtmf">
    <one-of>
      <item>1 <tag>out.action = "sales"</tag></item>
      <item>2 <tag>out.action = "support"</tag></item>
    </one-of>
  </rule>
</grammar>
```


DTMF Matcher

```
<grammar xmlns="http://www.w3.org/2001/06/grammar" version="1.0" xml:lang="en-US"
  root="main_menu_dtmf" mode="dtmf" tag-format="semantics/1.0.2006">
  <rule id="main_menu_dtmf">
    <one-of>
      <item>1 <tag>out.action = "sales"</tag></item>
      <item>101 <tag>out.action = "extension-101"</tag></item>
    </one-of>
  </rule>
</grammar>
```

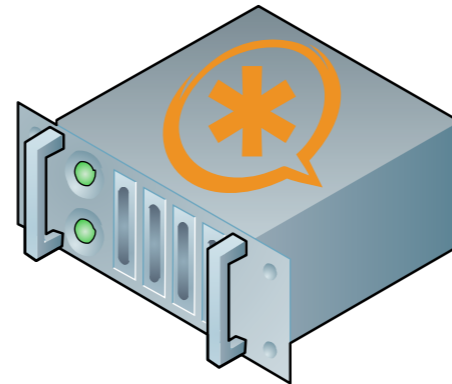
Grammar Generator



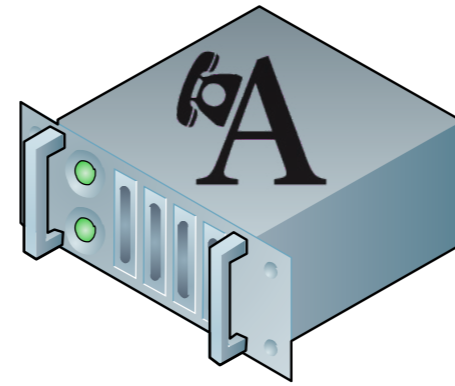
ARI



DTMF Recognizer

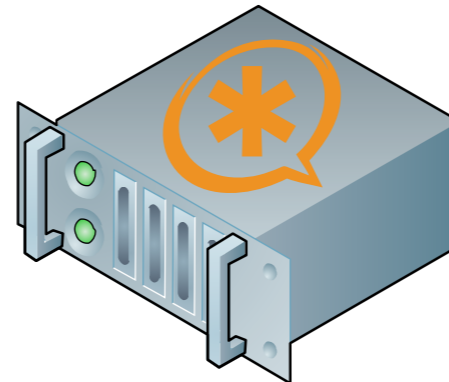


Grammar Generator



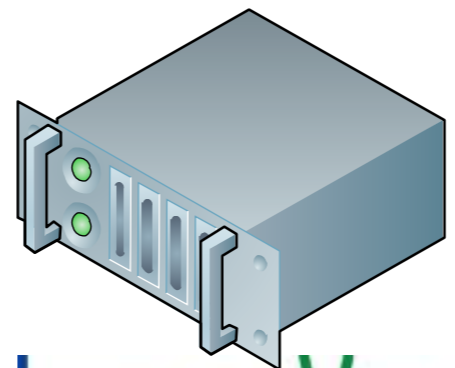
ARI

DTMF Recognizer



MRCP

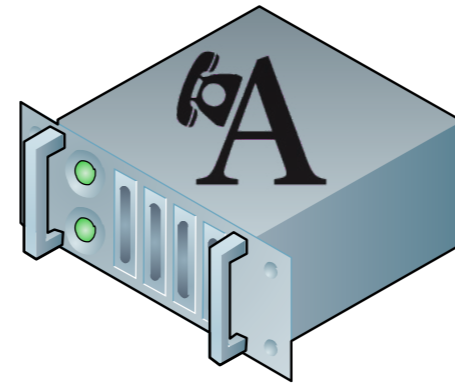
Speech Recognizer



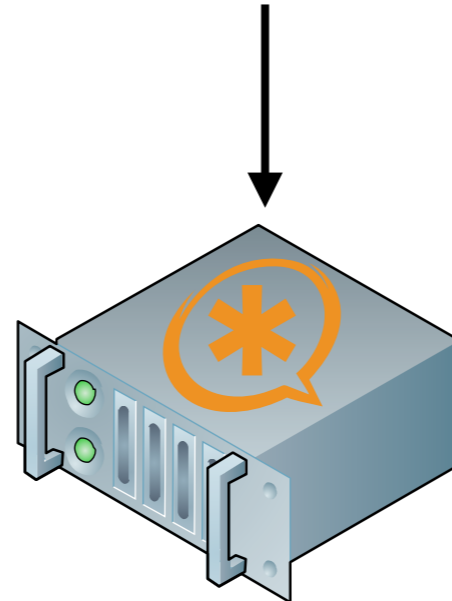
LumenVox®

Media Playback Optimizer

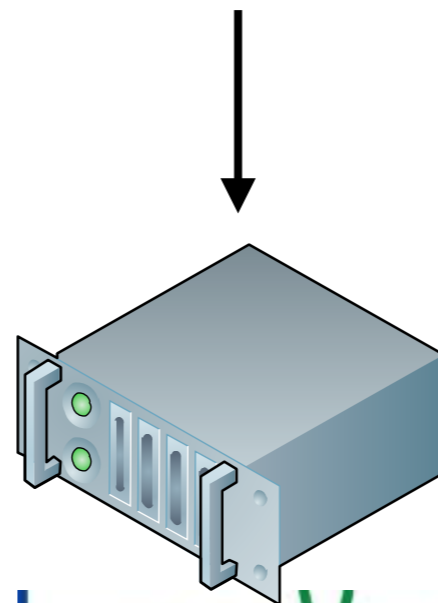
SSML Generator



ARI



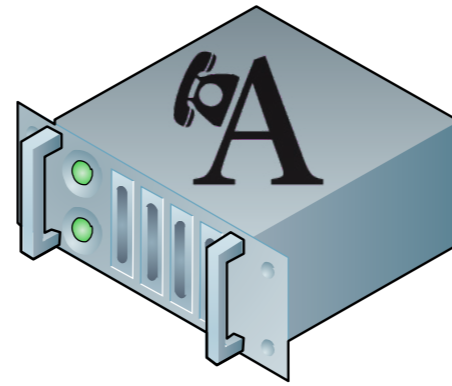
MRCP



TTS Synthesizer
Audio File Player

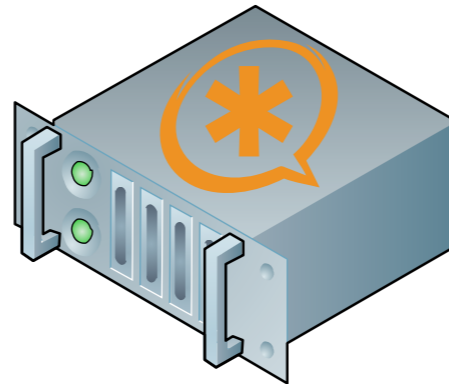
LumenVox®

SSML Generator



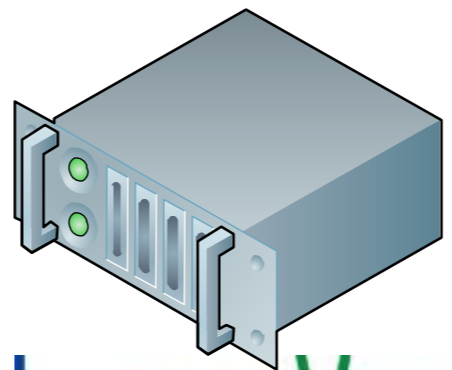
ARI

Audio File Player



MRCP

TTS Synthesizer



LumenVox®

you_have.wav

“1”

new_messages.wav

Summary

MY ASTERISK 14 GOALS

- MRCP via ARI
- DTMF Matcher (with SRGS)

ASTERISK WISH LIST

- SSML Parser
- Media Playback Optimizer
- Arbitrary Tone Detectors
- Asymmetric Audio Bridges
- Remote fetch/store audio

MRCPP via ARI